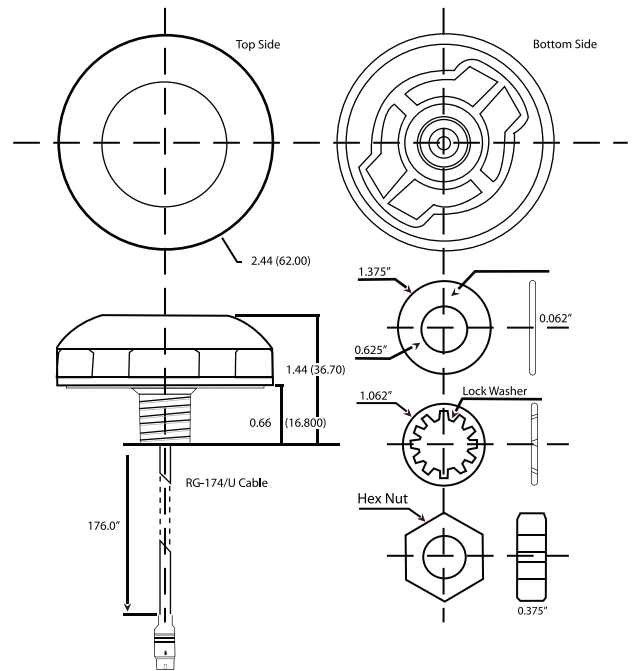


MR-350

GPS Receiver

- SiRF Star III Chipset
- 20-Channel All-In-View Tracking
- NMEA 0183 GPS Protocol
- WAAS/ EGNOS Support
- 2.44" x 0.82" (Exposed Housing)
- USB or RS232 Interface Cable Sets Available
- IPX7 Rated Weatherproof Design



The MR-350P is a “mini” external GPS receiver, which utilizes a bulkhead (through-hole) mounting design for applications that require a more permanent weatherproof mounting solution. The enclosed GPS receiver is self-contained with an active patch antenna and utilizes the latest 20-channel SiRF Star III high performance GPS chipset for accurate positioning.

The extended 15' cable allows for easy routing behind the headliner and side panels, terminating into a proprietary pin-out on a PS/2 connector for easy interface with your host device when using our USB or RS232 cable sets. (Cable sets are sold separately). The MR-350P can be used in a wide variety of applications including commercial fleet/utility vehicles, police and fire trucks, boats and specialty equipment.



Serial GPS Receiver

Performance Specifications

General.....L1 (1575.42MHz) frequency C/A code
20 channel all-in-view-tracking receiver
Accuracy......5 meters 2D RMS (WAAS enabled)
10 meters, 2D RMS, (WAAS disabled)
Acquisition.....Reacquisition: 0.1 sec. average
hot start: 1 sec., average
warm start: 38 sec., average
cold start: 42 sec., average

Protocol

PPS output.....1uS(microsecond) pulse every second at 2.85v with 3D GPS Fix
GPS Protocol.....Default: NMEA 0183 (Secondary: SiRF binary)
GPS Output Data.....SiRF binary >> position, velocity, altitude,
status and control NMEA 0183 MEA0183 V2.2 protocol
Software command setting
GPS transfer rate.....(Default :4800,n,8,1 for NMEA)
Connection.....Requires Optional Cable Set
USB: #BR305-USB2
RS232: #BR305-RS232

Electrical Characteristics

Prime Power.....3.3V -- 5V DC Input (USB or PS/2)
Power Consumption.....42mA

Environmental Specifications

Operation Temperature.....-40°~ 185°F (-40°~ 85°C)
Storage Temperature.....-49°~ 212°F (-45°~ 100°C)
Operation Humidity.....Up to 95% relative humidity

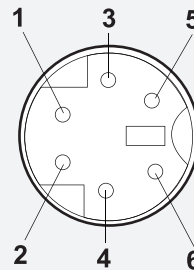
Physical Characteristics

Enclosure.....Durable Polycarbonate
Housing Dimensions.....2.44"x0.82" (exposed housing)
(62mm x 21mm)
Cable Length.....180" (terminates to PS/2)
(4,572mm)
Weight.....4.4oz(173.74 grams)

Carton Specifications

Quantity Per Box.....60
Carton Weight.....42lbs
Carton Dimensions.....18" x 16" x 20" (457.2mm x 406.4mm x 508mm)

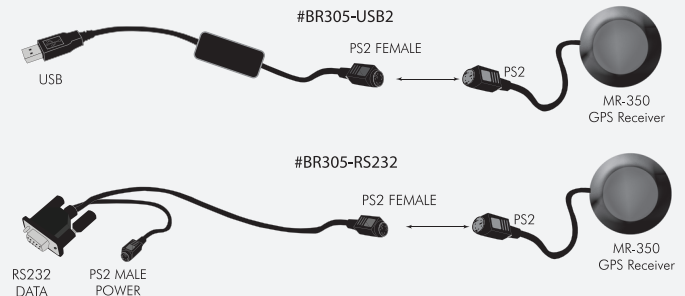
PACKAGE CONTENTS:



PS/2 Mini DIN 6-Pin Male Connector

| Color | Function | Pin |
|--------|----------|-----|
| Black | GND | 1 |
| Red | VCC | 2 |
| Yellow | PPS | 3 |
| White | RX | 4 |
| Green | TX | 5 |
| ----- | N/C | 6 |

Optional Cable Set Adapters



| | | |
|---------------|-------------------|------------|
| | ADAPTERS | |
| SERIAL | 20 CHANNEL | WIN |
| | SIRF III | MAC |

Taiwan
GLOBALSAT INCORPORATED
16F, No. 186, Jian Yi Road, Chung Ho City
Taipei Hsien, Taiwan
T: +866-2-82263799 F: +866-2-82263899
globalsat.com.tw service@globalsat.com.tw

North America
USGLOBALSAT, INC.
14740 Yorba Court
Chino, CA 91710
T: +909-597-8525 F: +909-597-8532
usglobalsat.com sales@usglobalsat.com

CE FC Canada 210 Bluetooth Made in Taiwan
MR-350
GLOBALSAT TECHNOLOGY CORPORATION
©2009 Globalsat Technology Corporation. All rights reserved.
All trademarks, tradenames & brands are registered to their respective owners.

MR350-DS12212011H